

TECHNICAL SPECIFICATION

- CURRENT RATING - 9A.
- VOLTAGE RATING - 160V₃
- INSULATION RESISTANCE - 2x10³ Mohms min
- INSERTION FORCE - 2.5 TO 5.0N.
- EXTRACTION FORCE - 1.0 TO 2.5N.
- MECHANICAL ENDURANCE - 50 CYCLES.
- INSULATOR MATERIAL - POLYESTER THERMO PLASTIC UL 94V0.
- CONTACT MATERIAL - COPPER ALLOY
- PLATING MATERIAL - TIN.
- TEMPERATURE RANGE - -30°C to +105°C

ACCESSORIES

1. TERMINAL BLOCK

- MATERIAL - COPPER ALLOY
- PLATING - NICKEL

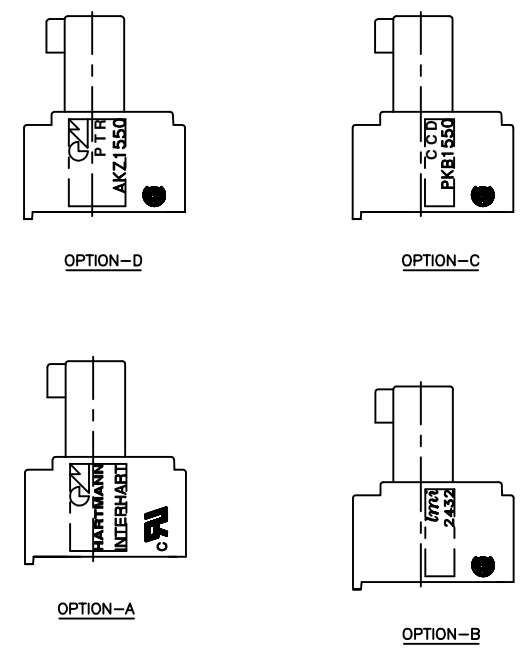
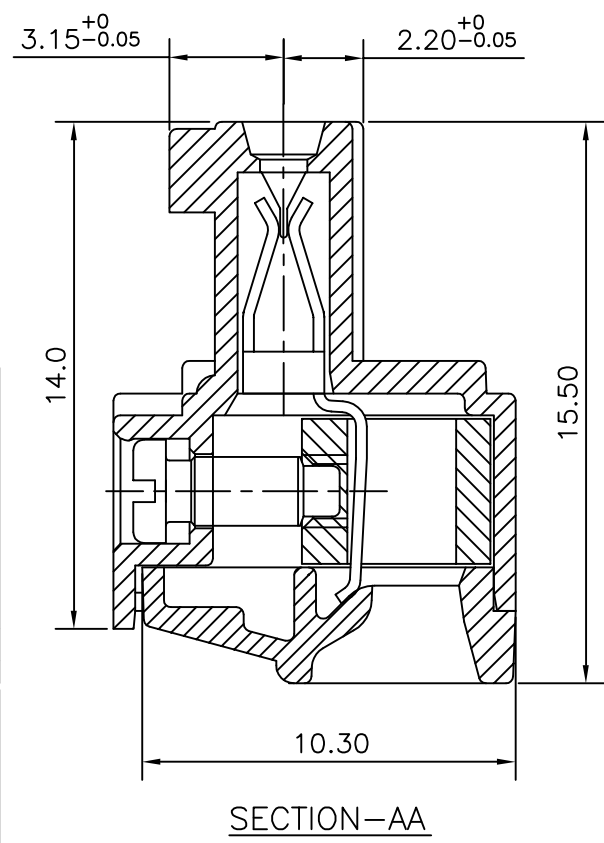
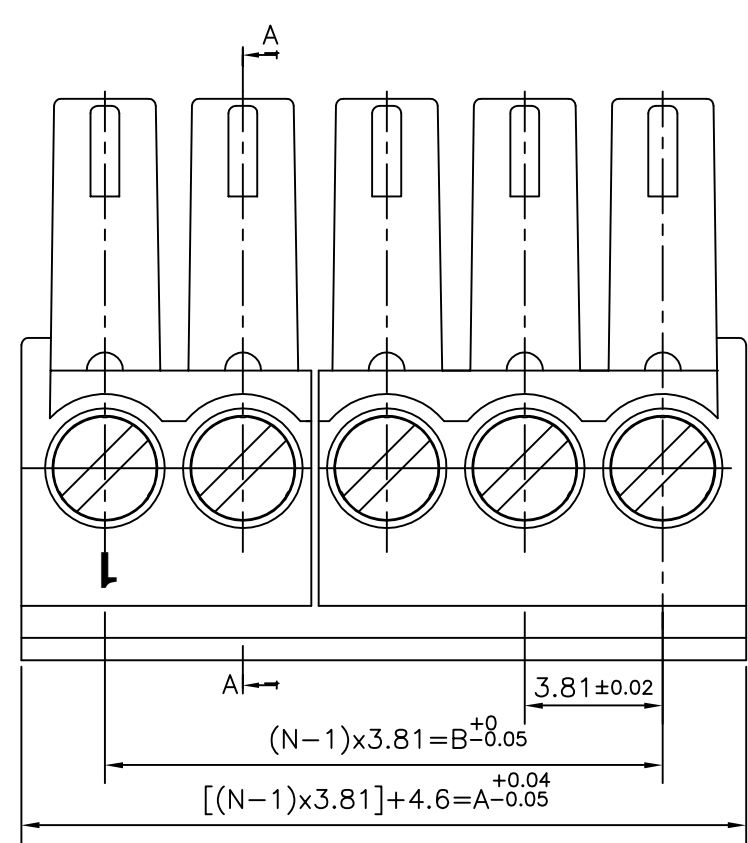
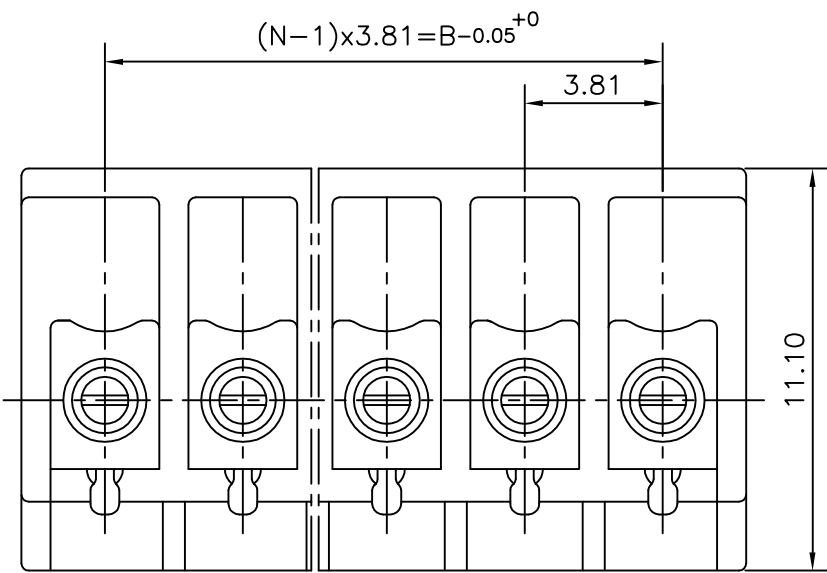
2. M2x5.70MM CHEESE HEADED SCREW

- MATERIAL - COPPER ALLOY
- PLATING - NICKEL
- RATED TORQUE - 0.4NM MAX

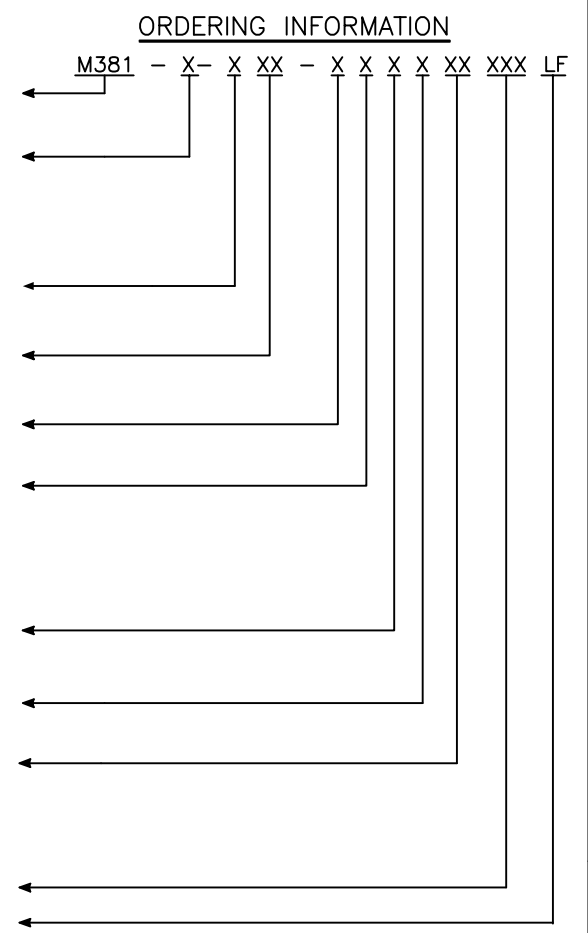
"This LF product meets European Union Directives and other country regulations as described in GS-22-008"

The housing will withstand exposure to 260°C peak temperature for 3.5 seconds in a wave solder application with a 1.6mm minimum thick circuit board.

Packaging as per GS-14-920



- BASIC SERIES
(Pitch - 3.81mm)
- Blank - With Hartmann Logo
 - L - With LMI Logo
 - P - With PTR logo
 - D - With CCD Logo
- TYPE
Female - 2
- POSITION
02 to 16
- TERMINATION
Female - 0
- INSULATOR MATERIAL
Nylon Green - 1
Nylon Grey - 2
Nylon Yellow - 3
Nylon Blue - 4
- CONTACT MATERIAL
Phosphor Bronze - 3
- PLATING
- SCREW MATERIAL
01 - Steel Screw
02 - Brass
03 - Phosphor Bronze
- SPECIAL CODES
- LEAD FREE



mat'l. code SEE NOTE 4		surface ISO 1302 ✓		tolerance ISO 406 ISO 1101		projection MM		product family											
ltr	ecn no	dr	date	tolerances unless otherwise specified		MM		title											
E	106-0074	GVJ	2006/06/08			scale -		FEMALE CONNECTOR (M381)											
Poles Dim		2	3	4	5	6	7	8	9	10	11	12	13	14	15	16			
A		8.41	12.22	16.03	19.84	23.65	27.46	31.27	35.08	38.89	42.70	46.51	50.32	54.13	57.94	61.75			
B		3.81	7.62	11.43	15.24	19.05	22.86	26.67	30.48	34.29	38.10	41.91	45.72	49.53	53.34	57.15			
sheet index		revision sheet		E 1		dr Mini K Vandanath 1999/03/20		enr Elias C Thomas 1999/03/20		chr George V Joseph 2006/06/23		appd K-V SIVADAS 2006/06/23		FCJ		dwg no C-M381-0003		sheet 1 of 1 size A3	
type		Product		Customer		Drawing													

Copyright FCI
FCIconnect.com